

# Special Operation

# STEALTH ASSASSIN

## Release Magazine



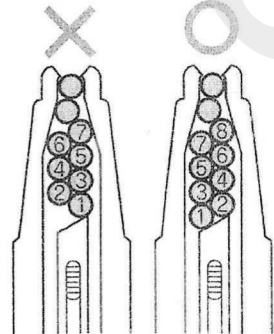
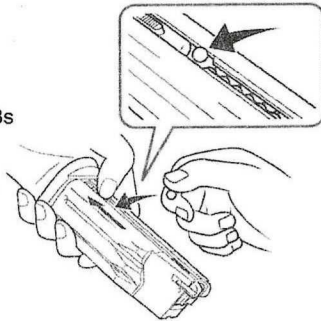
Push the magazine up until you hear a "click"



Pull the lever to release the magazine

## Loading BBs

Pull the spring lever back and load the BBs

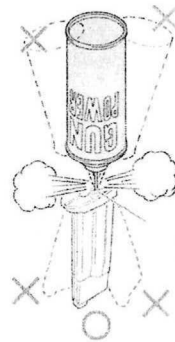


Make sure that the BBs stack up correctly

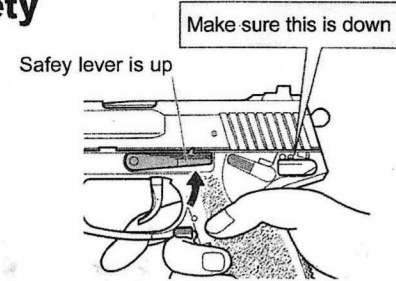
## Loading Gas

HFC134A Gas Recommended

Make sure to align the gas nozzle up correctly to prevent leaks



## Safety



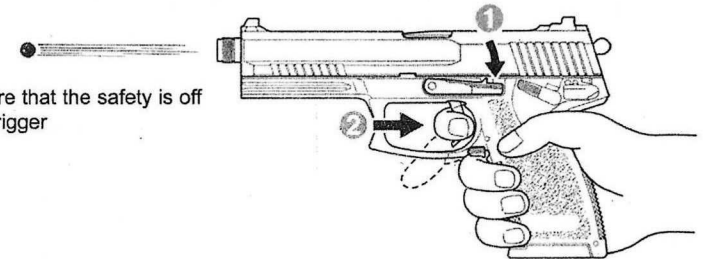
When hammer is not pulled back, single safety is available at the front lever



When hammer is pulled back, double safety is available at both front and back lever

## Shooting

To shoot, make sure that the safety is off and then pull the trigger



## WARNING!



Always wear goggles



Never disassemble or modify the gun



Read every section of the manual



Never shoot the gun towards a person or animal



Select a safe place to shoot a gun



Even if a magazine is disconnected, a bb may still be inside the gun



Never look into the muzzle

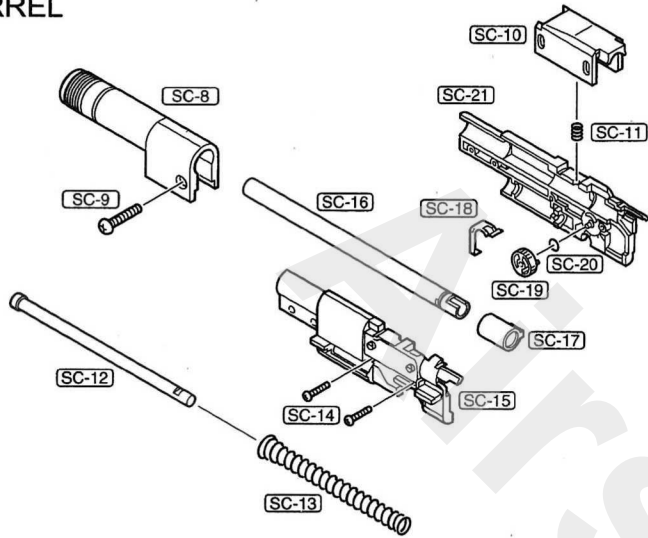


Never put your finger on the trigger unless you're ready to shoot

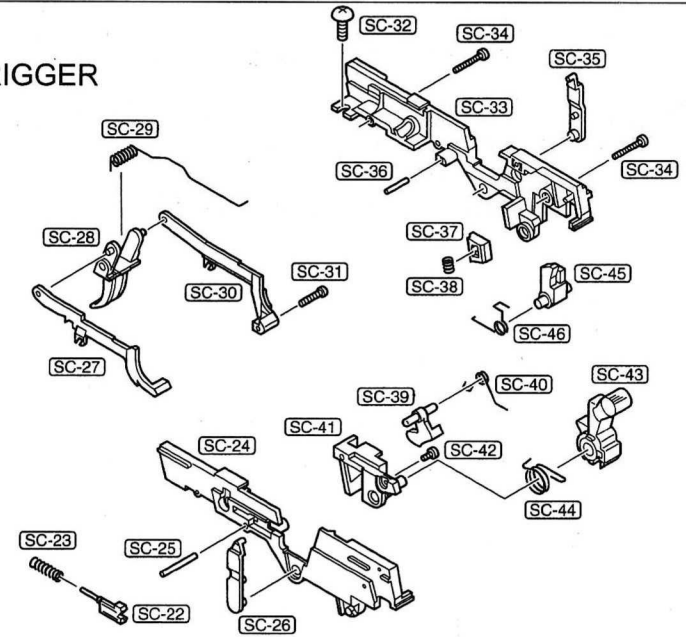


Keep away from children

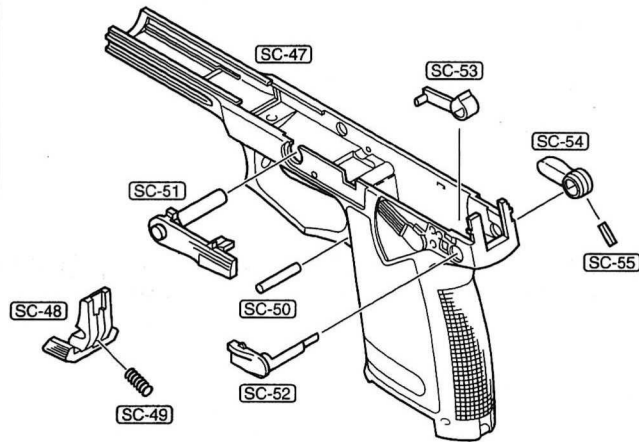
### BARREL



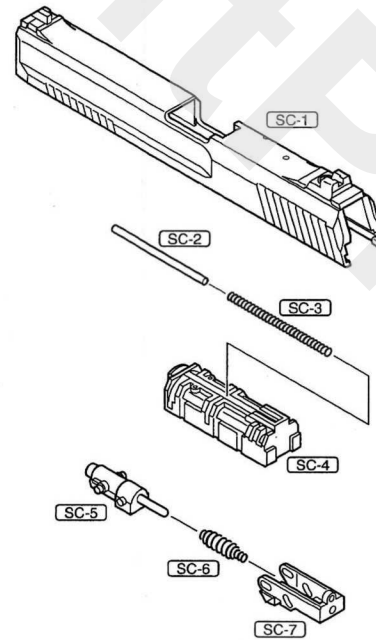
### TRIGGER



### FRAME



### SLIDE



### MAGAZINE

